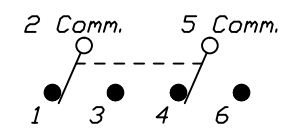
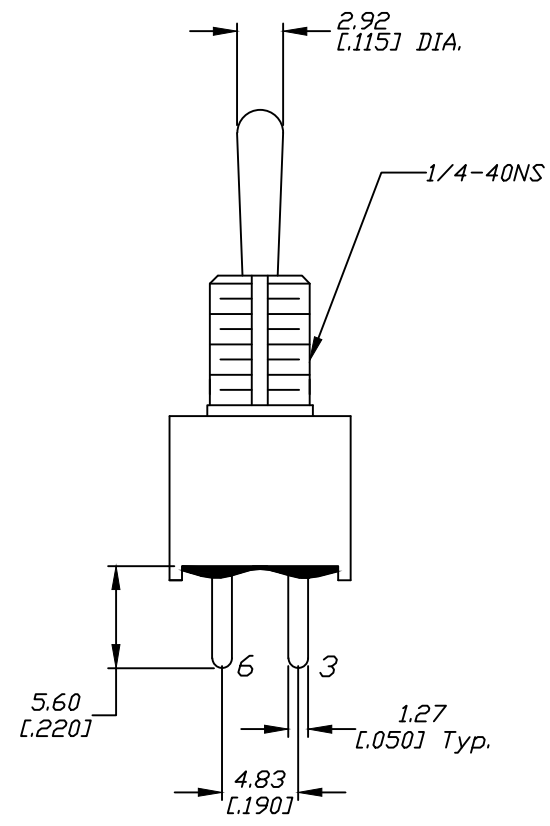
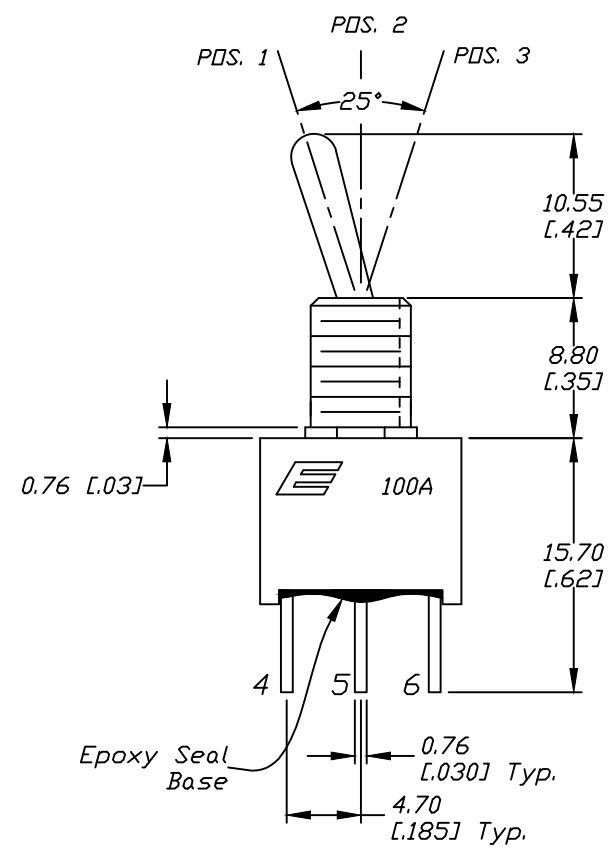


RECOMMEND P.C.B LAYOUT



CIRCUIT: DPDT

CONTACT CONFIGURATION

SWITCH FUNCTION		
PDS. 1	PDS. 2	PDS. 3
(ON)	OFF	(ON)
2-3,5-6	OPEN	2-1,5-4

()=Momentary

NOTES:

1. ALL DIMENSIONS IN MM
2. TERM. NOS. FOR REF ONLY
3. RATING: 5 Amps @120VAC or 28VDC; 2 Amps @250VAC.



B	DRAWING UPDATES TO MATCH PART	2/17/16	MW
A	RELEASED FOR PRODUCTION	6/10/98	MM
REV.	DESCRIPTION	DATE	CHKD
THE INFORMATION CONTAINED IN THIS DOCUMENT IS PROPRIETARY TO E-SWITCH AND IS NOT TO BE COPIED OR TRANSFERRED			

TOLERANCES	±0.4	±0.25				
	0.0	0.00	TITLE	100AWDP4T1B1M2QE		
			SCALE	2:1	DATE	6/10/98
			DR	MM	DWG	T102280
			REV	B		